

# Product data sheet

## Characteristics

# QO215

Mini circuit breaker, QO, 15A, 2 pole, 120/240 VAC, 10 kA, plug in mount

Product availability : Stock - Normally stocked in distribution facility



Price\* : 67.00 USD



### Main

Product	Miniature circuit-breaker
Range	QO
Current Rating	15 A
Voltage Rating	120/240 V AC 120 V AC 48 V DC
Mounting Type	Plug-in
Number of Poles	2P
Circuit Breaker Type	Standard
Ratings	HACR rated
Electrical Connection	Pressure plate

### Complementary

Interrupt Rating	10 kA 120/240 V AC 50/60 Hz 10 kA 120 V AC 50/60 Hz 5 kA 48 V DC
Number of Panel Spaces	2
Wire Size	AWG 14...AWG 8 copper or aluminium
Tightening torque	44.25 lbf.in (5 N.m) 0.02...0.04 in <sup>2</sup> (10...25 mm <sup>2</sup> ) AWG 8...AWG 2)
Maximum Height	3.12 in (79.25 mm)
Depth	2.91 in (73.91 mm)
Width	1.5 in (38.10 mm)

### Environment

Certifications	UL Listed CSA
----------------	------------------

\* Price is "List Price" and may be subject to a trade discount – check with your local distributor or retailer for actual price.

Ambient Rating	104 °F (40 °C)
----------------	----------------

## Ordering and shipping details

Category	00004 - QO,QOT 10-30A 1P;10-60A 2P
Discount Schedule	DE2A
GTIN	00785901400301
Nbr. of units in pkg.	5
Package weight(Lbs)	0.6 lb(US) (0.27 kg)
Returnability	Yes
Country of origin	MX

## Packing Units

Unit Type of Package 1	PCE
Package 1 Height	3.00 in (7.62 cm)
Package 1 width	1.50 in (3.81 cm)
Package 1 Length	3.30 in (8.382 cm)
Unit Type of Package 2	BB1
Number of Units in Package 2	5
Package 2 Weight	2.72 lb(US) (1.234 kg)
Package 2 Height	3.30 in (8.382 cm)
Package 2 width	2.70 in (6.858 cm)
Package 2 Length	7.70 in (19.558 cm)
Unit Type of Package 3	CAR
Number of Units in Package 3	50
Package 3 Weight	28.05 lb(US) (12.723 kg)
Package 3 Height	8.40 in (21.336 cm)
Package 3 width	7.40 in (18.796 cm)
Package 3 Length	17.50 in (44.45 cm)

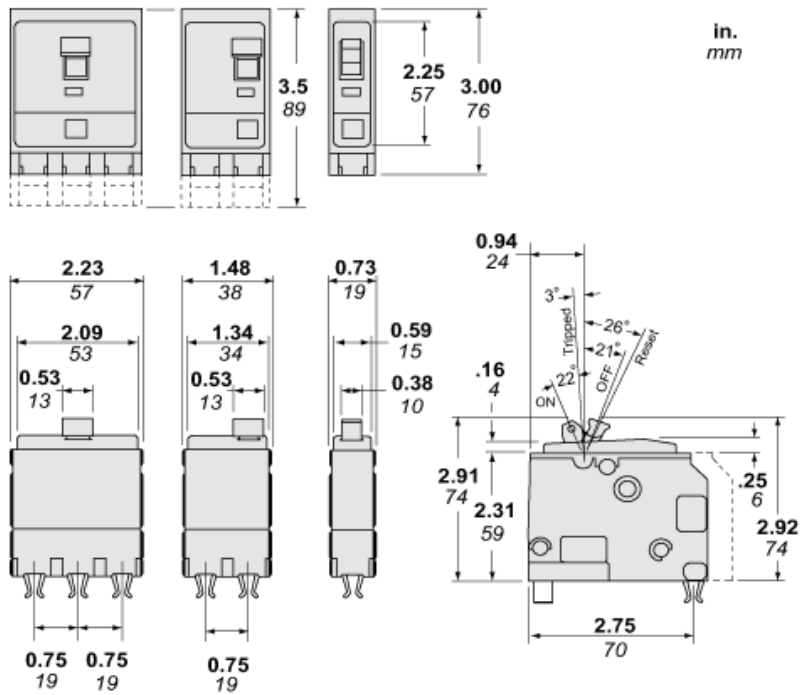
## Offer Sustainability

Sustainable offer status	Green Premium product
RECh free of SVHC	Yes
EU RoHS Directive	Compliant <a href="#">EU RoHS Declaration</a>
Toxic heavy metal free	Yes
Mercury free	Yes
RoHS exemption information	<a href="#">Yes</a>
China RoHS Regulation	<a href="#">China RoHS declaration</a>
Environmental Disclosure	<a href="#">Product Environmental Profile</a>
Halogen content performance	Halogen free product

## Contractual warranty

Warranty	18 months
----------	-----------

Approximate Dimensions



in.  
mm